



AILIPU is a worldwide leading manufacturer of dosing pumps, complete injection package and systems. We founded in 1997 and are NOW represented by 18 branches in China and over hundreds of sales partners on every continent. Hence, we can delivery almost 20 years of accumulated experience to our customer and provide customized solutions to meet their application, also, as a researching and producing company, we pushes our technological boundaries day to day by overcoming the challenge faced, which in order to supply the most accurate, reliable and comprehensive dosing pumps.

Our Foundation

As the leading manufacturer in the dosing pump line, after 20 years developing and researching, we are able to delivery full range of dosing pumps, which has been widely used in the large-scale water treatment and water treatment projects in industries as chemical, petroleum, power plant, natural gas, pharmacy, food, beverage and laboratory fields at both domestic and abroad. Now, we have good reputation in South-Eastern Asia, America, Middle East, Africa, Europe, Southern America and Oceania markets.

Our Mission

Looking for a more reasonable solution for fluid dosing application, we do the continuous innovation by responsive to customer's need and requirement to ensure and achieve maximum safety, efficiency and cost effective in our customers' process in any location.

Our Goal

Become as the global experts who is most respected and trusted in the fluid dosing application industries. Driven by customer-centric innovation with sticking to the principal of striving to perfection, we aims to create successful enterprise that to be a part of effort to improve the reputation of "Made in China"

Our Faith

A little bit of progress every day.
Simple but Forever!
Teamwork is key ingredients to success.



Solenoid Dosing Pump

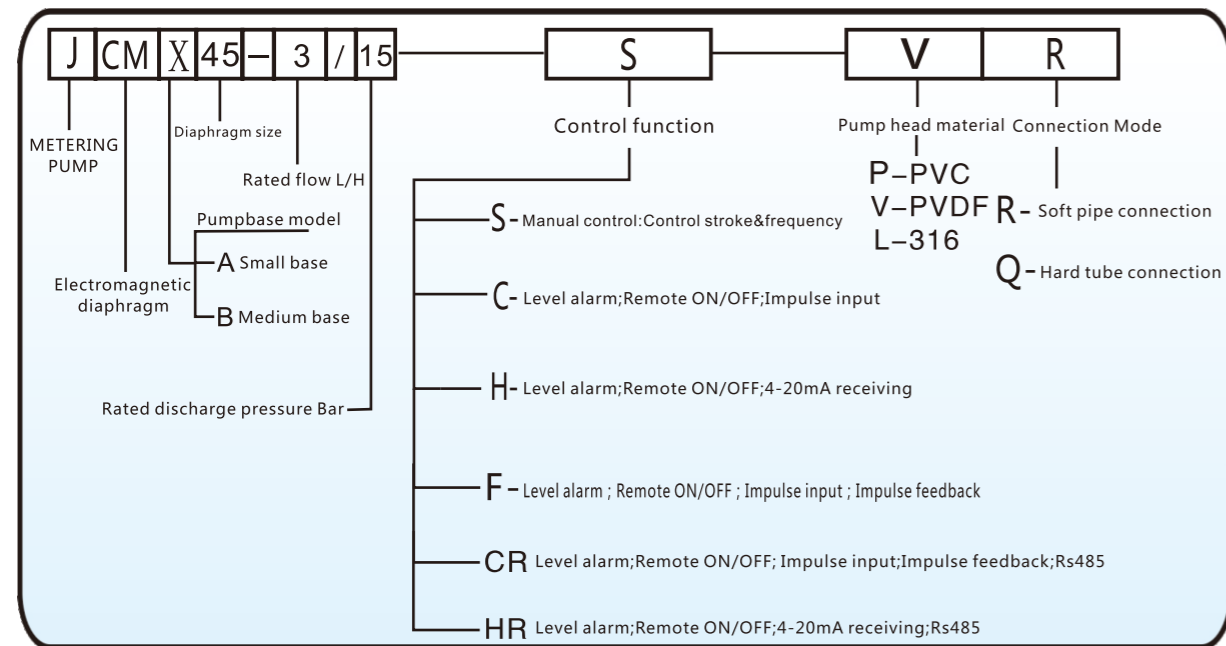
Solenoid Dosing Pump are Microprocessor-based digital control solenoid driven metering pumps with Simple operation and stable operation.

- High Speed Operation**
 Up to 400 strokes per minute results in high resolution chemical feed, with the elimination of slug-feed effects.
- Strong Power Supply Compatibility**
 Having power automatic recognition, smooth working stability in AC100-240V, and suitable for 50-60Hz range.
- Compact Size**
 JCMB pumps are small, quiet, and light weight.
- High Protection Level**
 JCMB series metering pump protection level is Ip65 and it can function safely under tough environment.
- Long Lasting Diaphragm**
 The diaphragm is made up by PTFE, which is compatible with all kinds of chemicals. The life of the diaphragm is over 5 years, which 5 times as national standard GB/T7782-2008.
- Double Valve Ball Structure**
 The precision ball, seat and guide assembly ensure tight sealing to prevent loss of prime.

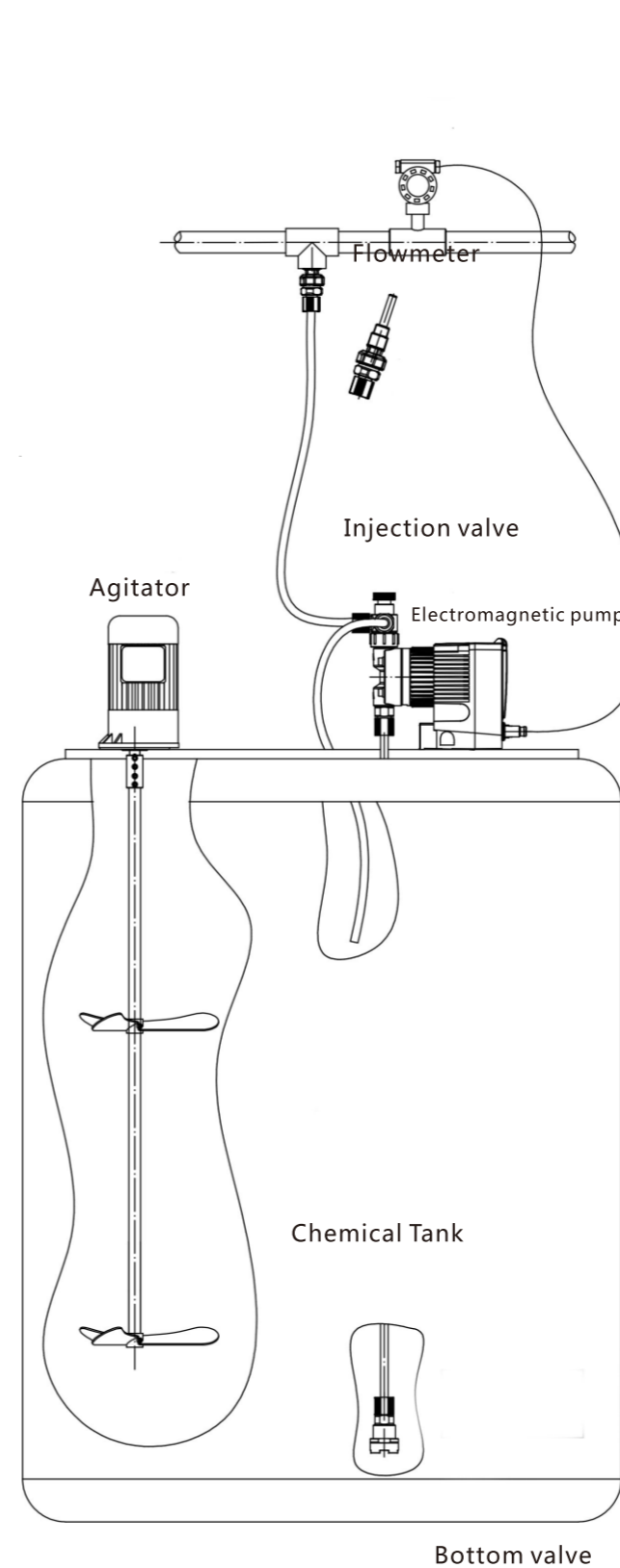


Applications: Municipal water and wastewater treatment, chlorine dioxide dosing, reverse osmosis, food&beverage and pharmaceutical industries etc.

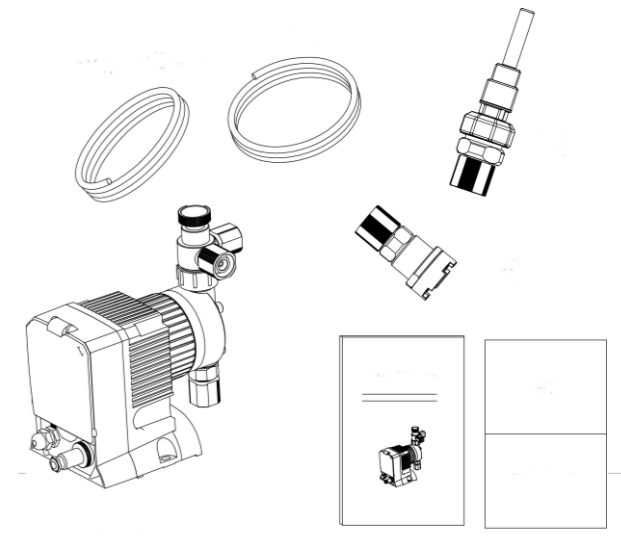
Pump Identification



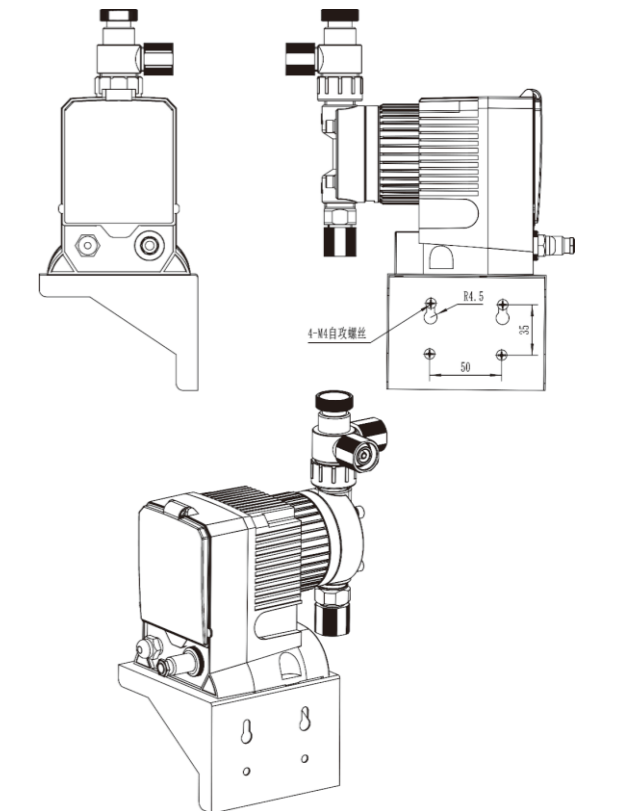
Typical Installation



JCMB Standard Installation Accessories



Wall Mounting Bracket



Solenoid Dosing Pump

JCMA

- ★ Includes 4 sub series: JCMA-S, JCMA-H, JCMA-C, JCMA-F
- ★ As the installation dimension for those 4 models are almost the same, no matter which type of pumps the customer intends to choose, the fixed point of the pump can be pre-planned during the project design.
- ★ The JCMA Series solenoid dosing pump offers precise chemical injection at an economical cost. Simple applications, Reliable performance & High efficiency.



JCMA Models

JCMA36

Model	Max.Flow	Max.Pressure	Pipe Dia(mm)	Material
JCMA36-0.8/15	0.8 L/H	15bar	内4外9.5 In 4 Out 9.5	PVC/PVDF
JCMA36-1.5/12	1.5 L/H	12bar	内4外9.5 In 4 Out 9.5	PVC/PVDF
JCMA36-2.5/10	2.5 L/H	10bar	内4外9.5 In 4 Out 9.5	PVC/PVDF

JCMA45

Model	Max.Flow	Max.Pressure	Inlet Pipe Dia(mm)	outlet Pipe Dia(mm)	Material
JCMA45-3.5/7.0	3.5L/H	7 bar	In 5.5 Out 9.5	In 4 Out 9.5	PVC/PVDF
JCMA45-7.0/3.5	7 L/H	3.5 bar	In 5.5 Out 9.5	In 4 Out 9.5	PVC/PVDF
JCMA45-11/2	11 L/H	2 bar	In 5.5 Out 9.5	In 4 Out 9.5	PVC/PVDF
JCMA45-15/1.5	15 L/H	1.5 bar	In 5.5 Out 9.5	In 4 Out 9.5	PVC/PVDF

Note: Range of liquid temperature : 0-40°C
 Range of the ambient temperature : 0-40°C
 Max. viscosity : Up to 50mPa · s. If the viscosity exceeds 50mPa · s, please contact us.

Solenoid Dosing Pump



JCMA-S Manual Adjustment

- Manual adjust flow through the key in the control panel
- Pump LED ON/OFF indicator
- Displayable frequency percentage

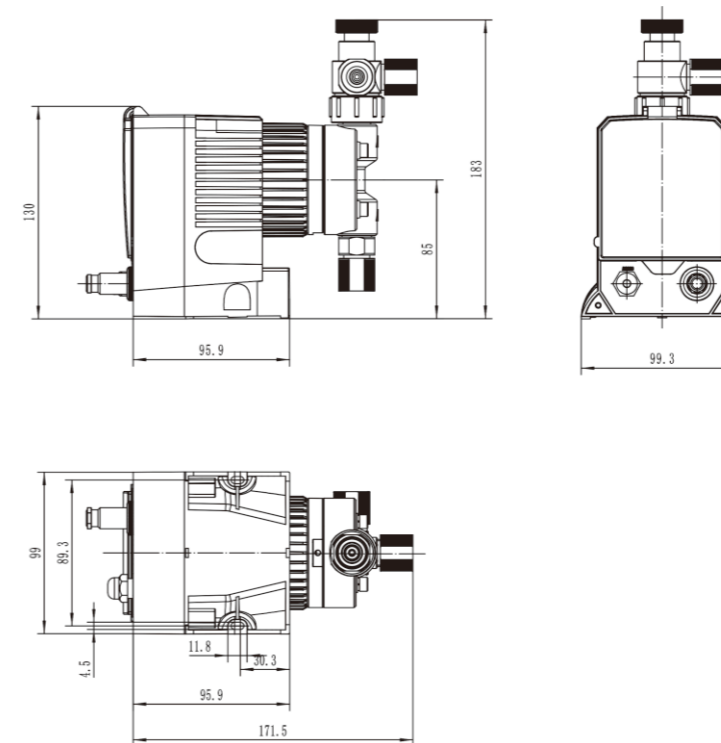


JCMA Auto-Adjust

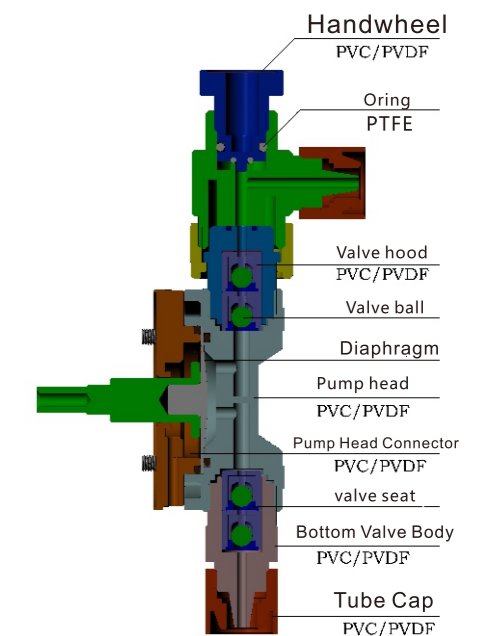
3 Control Models:

- ★ JCMA-C Auto-Adjust (digital impulse signal control)
- ★ JCMA-H Auto-Adjust (4-20mA electric current signal control)
- ★ JCMA-F Auto-Adjust (digital impulse signal control & feedback)
- The pump carries working condition display, liquid-level probe and remote ON/OFF connector. Two output modes available.
- Manual flow adjust mode: pump will output according to your manual-chosen frequency.
- Auto flow adjust mode: pump will dosing proportionally by the income signal

Dimensions(mm)



Pump Head



Solenoid Dosing Pump

JCMB

★ Includes 6 sub series:
JCMB-S, JCMB-H, JCMB-C, JCMB-F,
JCMB-CR, JCMB-HR

★ JCMB Series are Microprocessor-based digital control solenoid driven metering pumps with Simple operation and stable operation.

★ Applications: Municipal water and wastewater treatment, chlorine dioxide dosing, reverse osmosis, food & beverage and pharmaceutical industries etc.



JCMB Models

JCMB45

Model	Max. Flow	Max. Pressure	Inlet&outlet Pipe Dia(mm)	Suction Pipe Material	Discharge Pipe Material
JCMB45-3/15	3.0L/H	15bar	内5.5外9.5 In5.5 Out 9.5	PVC	PE
JCMB45-5/10	5.0L/H	10bar	内5.5外9.5 In5.5 Out 9.5	PVC	PE
JCMB45-10/5	10L/H	5bar	内5.5外9.5 In5.5 Out 9.5	PVC	PE

JCMB55

Model	Max. Flow	Max. Pressure	Inlet&outlet Pipe Dia(mm)	Suction Pipe Material	Discharge Pipe Material
JCMB55-15/3.2	15L/H	3.2bar	内6.5外9.5 In6.5 Out 9.5	PVC	PE
JCMB55-20/2.5	20L/H	2.5bar	内6.5外9.5 In6.5 Out 9.5	PVC	PE
JCMB55-25/2.0	25L/H	2.0bar	内6.5外9.5 In6.5 Out 9.5	PVC	PE

Solenoid Dosing Pump

JCMB-S Manual Adjustment



- Manual adjust flow through the key in the control panel
- Pump LED ON/OFF indicator
- Displayable frequency percentage

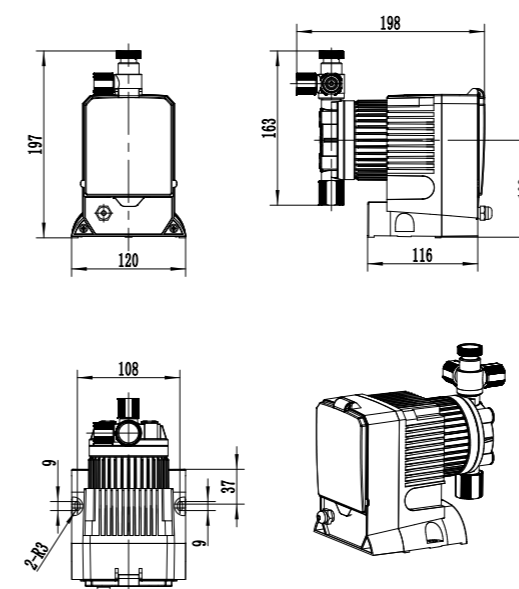
JCMB Auto-Adjust



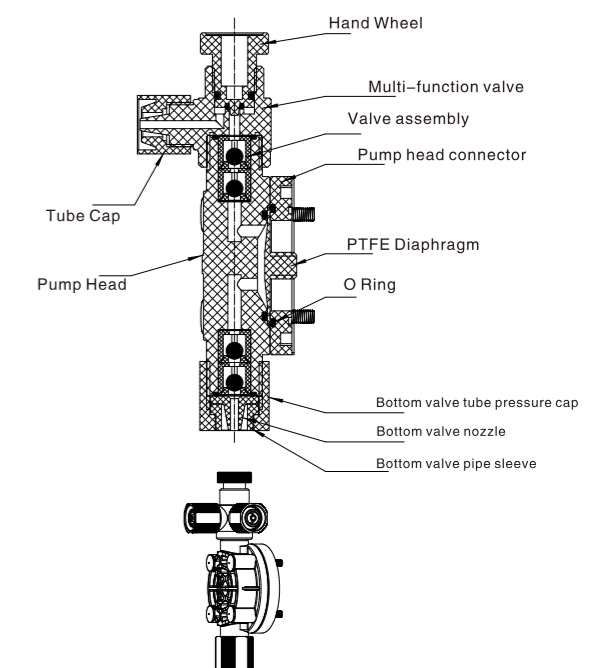
5 Control Models:

- ★ JCMB-C Auto-Adjust (Digital impulse signal control)
- ★ JCMB-H Auto-Adjust (4-20mA electric current signal control)
- ★ JCMB-F Auto-Adjust (Digital impulse signal control & feedback)
- ★ JCMB-CR Auto-Adjust (Digital impulse signal feedback control with Rs485 communication interface)
- ★ JCMB-HR Auto-Adjust (4-20mA electric current signal control with Rs485 communication interface)
- The pump carries working condition display, liquid-level probe and remote ON/OFF connector. Two output modes available.
- Manual flow adjust mode: pump will output according to your manual-chosen frequency.
- Auto flow adjust mode: pump will dosing proportionally by the income signal

Dimensions(mm)



Pump Head



Mechanical Diaphragm Dosing Pump

JM Series Mechanical Diaphragm Dosing Pump

Features

- ★ Easy installation and simple operation
- ★ Accurate measurement and adjustable output flow
- ★ Strong anti-corrosives
- ★ Economical & practical
- ★ Diaphragm with long-life

Application

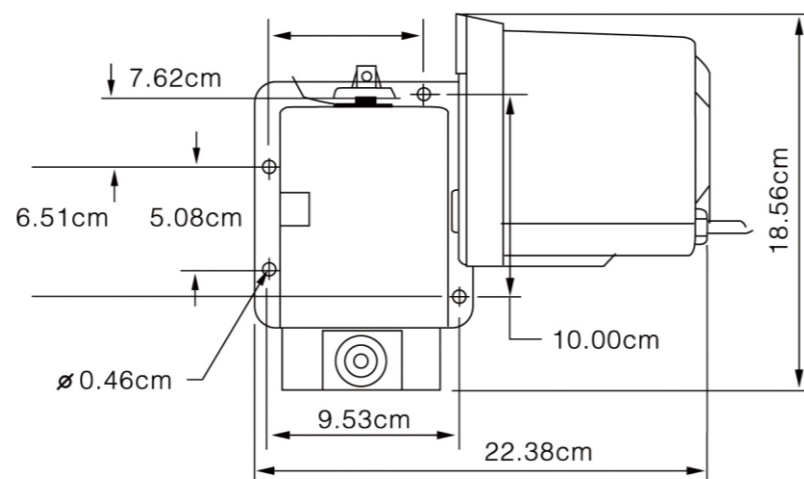
- ★ Reverse osmosis, electro dialysis
- ★ Cooling Circuits
- ★ Water Purification & sewage treatment
- ★ Laboratory & testing room
- ★ Other small-size measuring equipment



JM Models

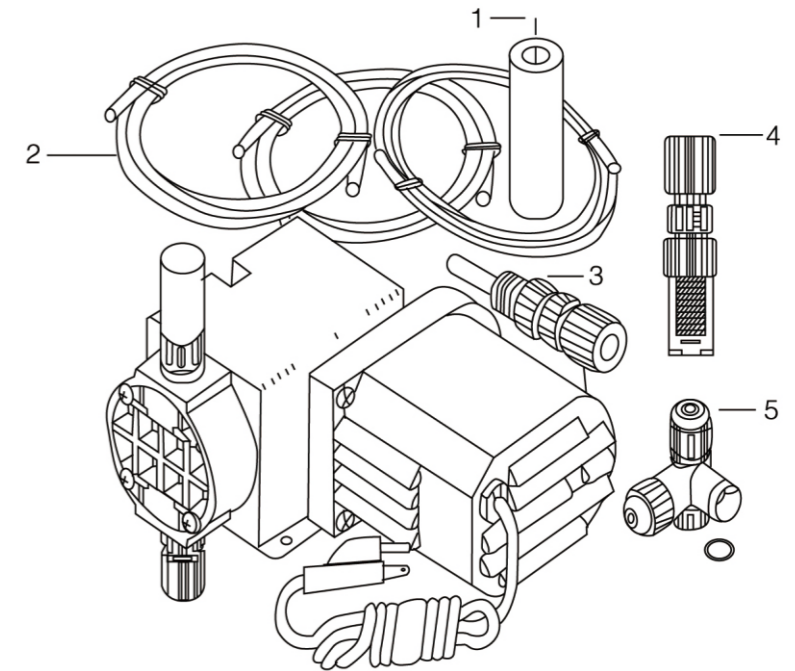
Model	Stroke (min-1)	Rated flow (LPH)		Max. Pressure		Connection size	Power (w)	Weight (KG)
		50Hz	60Hz	Bar	Psig			
JM-0.47/7	7	0.47	0.56	7	101.5	M19x1.5	15W	4.1
JM-1.10/7	13	1.1	1.32	7	101.5			
JM-2.36/7	25	2.36	2.83	7	101.5			
JM-3.78/7	51	3.78	4.54	7	101.5			
JM-4.72/7	51	4.72	5.66	7	101.5			
JM-10.72/4.2	70	10.72	12.86	4.2	60.9			
JM-15.77/4.2	70	15.77	18.93	4.2	60.9			

Part	Standard material	Optional material
Pump head	PVC	SS304, SS316
Connection parts	PVC	SS304, SS316
Valve seat	NBR	Viton, Teflon
Diaphragm	EPDM	EPDM Line PTFE
Gasket	Teflon	
Valve Ball	Ceramic	SS304, SS316
Discharge Tube	PE	
Suction tube	PVC	



Mechanical Diaphragm Dosing Pump

1. Ceramic tube
2. Tube
3. Injection valve
4. Filter valve
5. Three function valve



JM System

Application

- ★ For small water treatment or sewage water treatment

Application

- ★ Tank

Ailipu tanks are consist of High quality industrial polyethylene, it contains a high strength lid, dosing point and drain hole. In additions, we also provides stainless material as the alternative choice.



- ★ Mixer (Optional)

Ailipu provides full range of mixer that matches with all kind of metering pumps. Each mixer will be tested before shipment in order to ensure maximum adaptability and applicability. Meanwhile, various material for stirring shaft and impeller are available, such as SS304, SS316, carbon steel with plastic coating and carbon steel with rubber coating etc.



Mechanical Diaphragm Dosing Pump

JWM-A Series Mechanical Diaphragm Dosing Pump

Features

- ★ Mechanical actuated diaphragm, no leakage structure
- ★ The materials of the pump head can be PVC, PTFE, PVDF, SS316&SS304
- ★ It is used for corrosion resistant liquid
- ★ It can be installed on the medicine groove
- ★ Easy installation&maintenance
- ★ It is safe to operate it
- ★ Cooling circuits
- ★ Capacity can be adjusted from 0 to 100% during operation

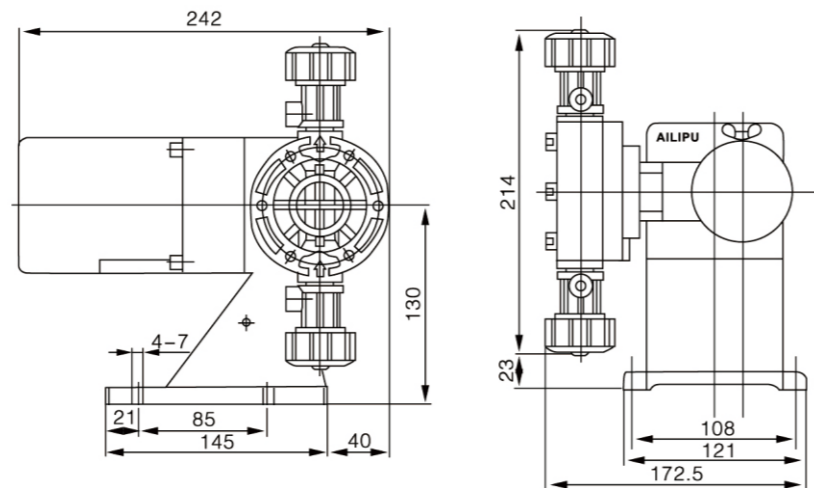


Technical Data

Model	Capacity (LPH)	Max. Pressure (Bar)	Stroke (mm)	Speed (min-1)	Dia.Diaphragm(mm)	Connection	Power	Weight (KG)
JWM-A6.5/1	6.5	10	2	54	65	ID9 OD15	220V/50HZ 380V/50HZ	8.5
JWM-A12/1	12		2	108				
JWM-A24/1	24		4	90				
JWM-A32/1	32		4	135				
JWM-A42/1	42	5	5	135	84	DN15		
JWM-A60/1	60		5	150				
JWM-A80/0.5	80		4	150				
JWM-A90/0.5	90		5	135				
JWM-A100/0.5	100	3	5	150	96	DN15		
JWM-A110/0.3	110		4	150				
JWM-A120/0.3	120		5	135				
JWM-A150/0.3	150		4	150				

Capacity (LPH)	PVC/PVDF					
	A/B	C	D	E	F	G
6.5~60	107	29	172	147	40	242
80~120	128	51	190	168	51	274
150	133	52	193	206	56	317.5

Capacity (LPH)	SS304/SS316					
	A/B	C	D	E	F	G
6.5~60	91	32	168	147	40	242
80~120	124	51	190	168	51	274
150	133	52	191	206	56	317.5



Material

Pump head	Diaphragm	Ball valve	Valve seat/o-ring	Chemicals
PVC	PTFE/EPDM	Ceramic	PETFE/EPM	Sodium hypochlorite, Aluminium sulfate, Ferric chloride, PAC, Sulfuric acid, Phosphoric acid, Urea, Anti foams, Calcium chloride, Aluminium chloride
		SS304/SS316	EPDM	Coagulant, Ammonia water, Hydrazin, Caustic soda

Mechanical Diaphragm Dosing Pump

JWM-AD Series Mechanical Diaphragm Dosing Pump

Features

- ★ Mechanical actuated diaphragm, no leakage structure
- ★ The material of pump head can be PVC, PTFE, PVDF and Ss316
- ★ It is used for corrosion resistant liquid
- ★ It can be installed on the medicine groove
- ★ Easy installation and simple repair and maintenance
- ★ It is safe to operate it
- ★ Cooling circuits
- ★ Capacity can be adjusted from 0 to 100% during operation



JK-I Digital Controller

JK-I Digital Controller works with dosing pump JWM-A.

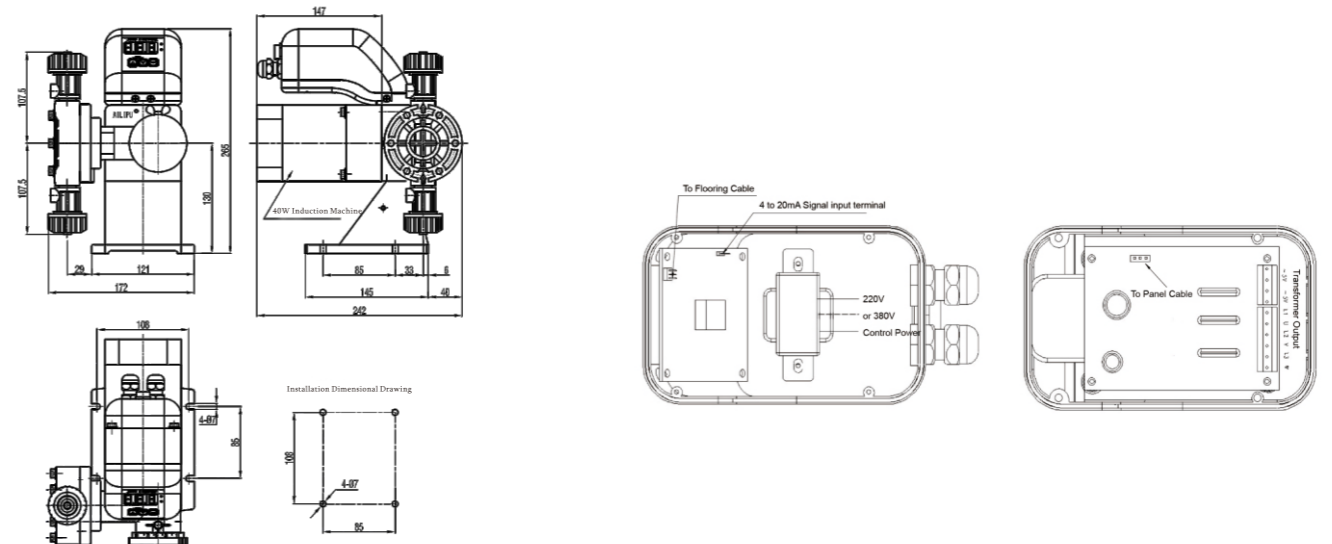
Technical Parameters

- ★ Power:220V,50HZ or 380V,50HZ(the power is same with dosing pump)
- ★ Motor running cycle:20S
- ★ Cycle operation time:1 to 20S
- ★ Receiving remote control signals:4 to 20mA signal.
- ★ Maximun load power:0.9KW
- ★ Input control signal:4 to 20mA



Performance

- ★ The flow accuracy(L):Less than $\pm 5\%$ (The quota value $L \times \pm 5\%$)
- ★ Power dissipation:Less then 20VA
- ★ Sensitivity:Less then 20mS
- ★ C The environment:Temperature:0 to 45°C, relative temperature : Less then 85%RH



Mechanical Diaphragm Dosing Pump

JXM-A Series

Product Description

The JXM-A series of dosing pumps offer the high performance with the capacity up to 1200L/H and with outstanding values for pressure applications up to 12 Bar. This series dosing pump is designed for durability and cost-effective, which is welcome to be used in lots of lines, such as the water treatment, chemical industry, power industry, food industry and beverage industry, paper industry, textile industry etc.



Technical Specifications

- ★ Flow rates up to 500L/H, pressure up to 12Bar
- ★ Adjustment of flowrate from 0% - 100% while running or stopped
- ★ Accuracy +/- 2% of 100% rated flow
- ★ Mechanically actuated PTFE diaphragm
- ★ Maximum temperature of pumped fluid: +10°C - 40°C
- ★ Maximum suction up to 2M

Features&Benefits

- ★ Mechanical actuated diaphragm design, easy operation and with the convenience maintenance
- ★ Changeable eccentric drive, structure.
- ★ Rugged construction designed to withstand tough environments
- ★ Oil bath lubrication for all of drive components
- ★ Various pump head material (PVC, PVDF, SS304, SS316 etc.) to meet different solution needs
- ★ Available with the manual control and digital control model

Control

- ★ Manual stroke adjustment
- ★ Stroke actuator with 4-20mA signal
- ★ Digital controller with 4-20mA signal

Others

- ★ The pump can be used to deliver the solution which is high-viscosity,corrosive and dangerous.
- ★ Diaphragm rupture detection system(Double diaphragm) is optional.

Technical Data

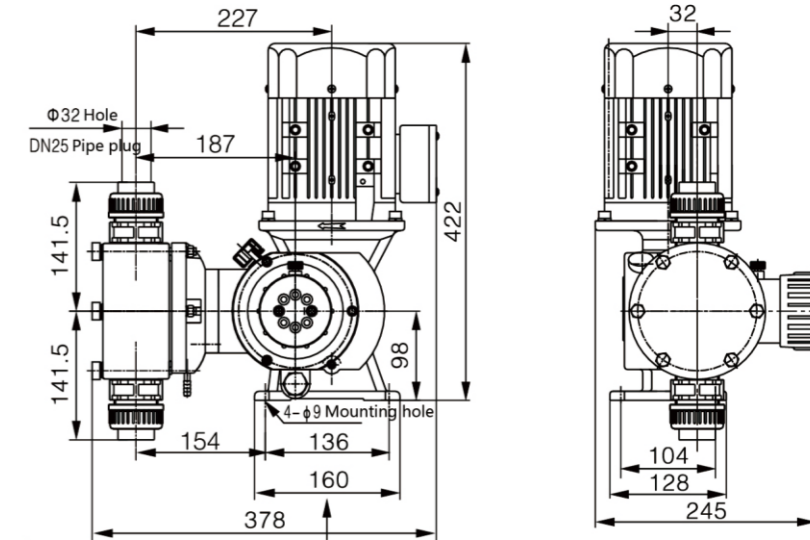
Model	Capacity (LPH)	Max. Pressure (Bar)	Pump Speed (min-1)	Diaphragm (mm)	Stroke Length (mm)	Connection Size (mm)	Power (KW)	Weight (kg)
JXM-A 2.25/1.2	2.25	12	36	∅ 63/36	1.2	DN8	220/380V 0.37kW 1400rpm 50/60Hz IP55/F	18
JXM-A 4.5/1.2	4.5		72					
JXM-A 9/1.2	9		144					
JXM-A 22/1.2	22	10	72	∅ 82/45	4	DN15		
JXM-A 44/1.2	44		144					
JXM-A 85/1.0	85		72					
JXM-A 120/0.7	120	7	72	∅ 110/70	6	DN15		
JXM-A 170/0.7	170		144					
JXM-A 240/0.7	240		144					
JXM-A 315/0.7	315	5	144	∅ 110/80	8	DN25	0.55kW	
JXM-A 400/0.5	400		144					
JXM-A 500/0.5	500		180					

Mechanical Diaphragm Dosing Pump

Capacity (LPH)	PVC head		
	A/B	C	D
2.25~9	102	121	291
22~44	124	121	299
85~170	137	137	360
240~500	142	142	378

Capacity (LPH)	SS head		
	A/B	C	D
2.25~9	102	121	289
22~44	115	121	299
85~170	169	130	352
240~500	178	142	355

Capacity (LPH)	Connection	
	PVC head	SS head
2.25~9	DN8 PVC Connection	DN8 Thread
22~170	DN15 PVC Connection	DN15 Thread
240~500	DN15 PVC Connection	DN25 Thread



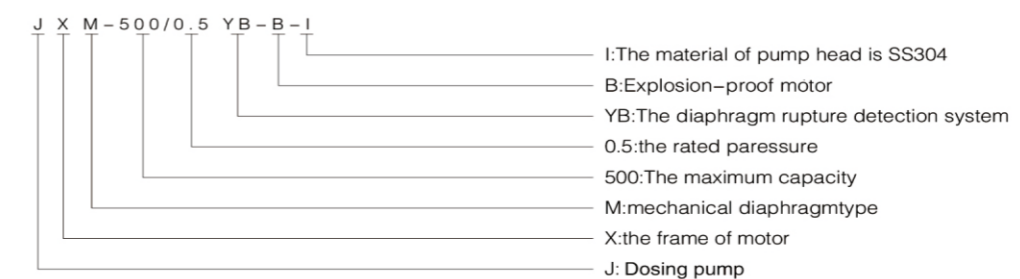
Pump Head Material

	I	II	III	IV	V
Pump head	SS304	SS316	PVDF	PVC	PTFE
diaphragm	PTFE	PTFE	PTFE	PTFE	PTFE
Valve ball	Ceramic,SS304	Ceramic,SS316	Ceramic	Ceramic	Ceramic
Valve seat	SS304	SS316	PVDF	PVC	PTFE
Valve cover	SS304	SS316	PVDF	PVC	PTFE
Valve gasket	FPM/PTFE	FPM/PTFE	FPM/PTFE	FPM/PTFE	FPM/PTFE

Special Available Requirements

Code	GN	YB	B	D1	D2	XF
Specification	PTFE/EPDM	Diaphragm rupture alarm	Explosion-proofmotor	Stroke actuator	Digital control	Suspension

Example



Mechanical Diaphragm Dosing Pump

JZM-A Series

Technical Specifications

- ★ Flow rates up to 1200L/H, pressure up to 10Bar
- ★ Adjustment of flowrate from 0% - 100% while running or stopped
- ★ Accuracy +/- 2% of 100% rated flow
- ★ Mechanically actuated PTFE diaphragm
- ★ Maximum temperature of pumped fluid: +10°C - 40°C
- ★ Maximum suction up to 2M

Features&Benefits

- ★ Mechanical actuated diaphragm design, easy operation and convenience maintenance
- ★ Changeable eccentric drive, no leakage with security delivery
- ★ Rugged construction designed to withstand tough environments
- ★ Oil bath lubrication for all of drive components
- ★ Various pump head material (PVC, PVDF, SS304, SS316 etc.) to meet different solution needs
- ★ Available with the manual control and digital control model



Control

- ★ Manual stroke adjustment
- ★ Stroke actuator with 4-20mA signal
- ★ Digital controller with 4-20mA signal

Others

- ★ The pump can be used to deliver the solution which is high-viscosity,corrosive and dangerous.
- ★ Diaphragm rupture detection system(Double diaphragm)is optional.

Technical Data

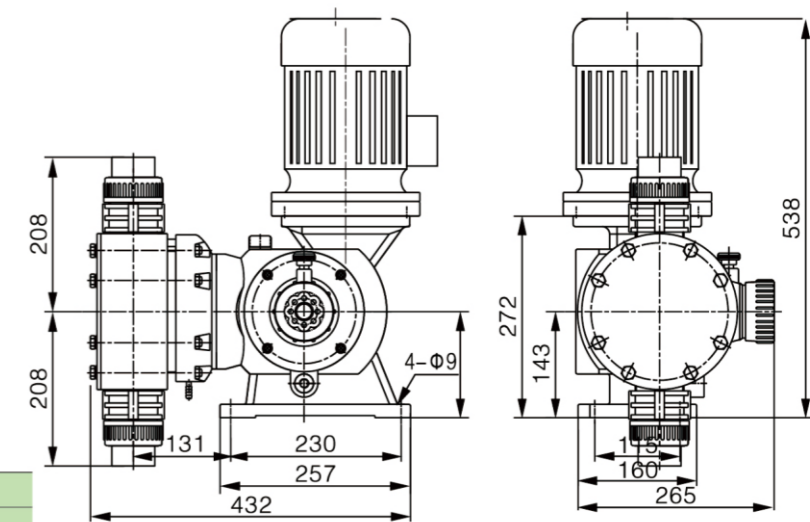
Model	Capacity Flow (L/H)	Max. Pressure (Bar)	Pump Speed (min-1)	Diaphragm (mm)	Stroke Length (mm)	Connection Size (mm)	Power (KW)	Weight (kg)
JZM-A 82/1	82	10	36	∅ 110/70	12	DN15	220V/380V 0.55kW	30
JZM-A 167/1	167		72					
JZM-A 237/1	237		102					
JZM-A 334/1	334		135					
JZM-A 410/1	410		180					
JZM-A 460/0.7	460	7	135	∅ 110/80	12	DN25	0.75kW	30
JZM-A 580/0.7	580		180					
JZM-A 656/0.35	656	3.5	102	∅ 162/115	12	DN25	0.75kW	30
JZM-A 940/0.35	940		135					
JZM-A 1200/0.35	1200		180					
JZM-A 1200/0.35	1200	3.5	180	∅ 162/115	12	DN40	0.75kW	40

Mechanical Diaphragm Dosing Pump

Capacity (LPH)	PVC head				
	A/B	C	D	E	F
82~167	137	66	342	165	221
237~580	143	74	361	173	229
656~1200	208	131	432	230	286

Capacity (LPH)	SS head				
	A/B	C	D	E	F
82~167	168	64	339	163	219
237~580	180	74	362	173	229
656~1200	248	170	427	230	286

Capacity (LPH)	Connection	
	PVC head	SS head
2.25~9	DN8 PVC Connection	DN8 Thread
22~170	DN15 PVC Connection	DN15 Thread
240~500	DN15 PVC Connection	DN25 Thread



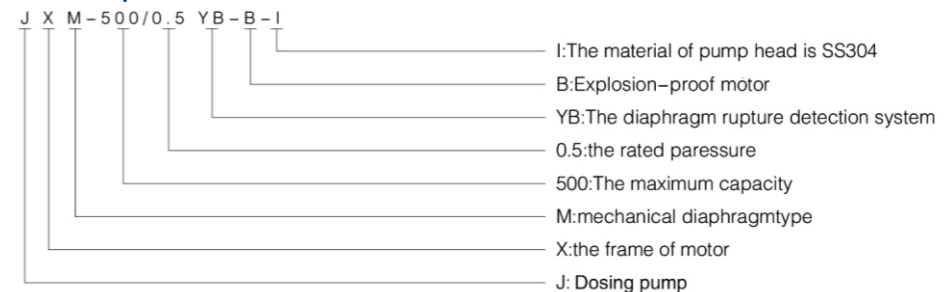
Pump Head Material

	I	II	III	IV	V
Pump head	SS304	SS316	PVDF	PVC	PTFE
diaphragm	PTFE	PTFE	PTFE	PTFE	PTFE
Valve ball	Ceramic,SS304	Ceramic,SS316	Ceramic	Ceramic	Ceramic
Valve seat	SS304	SS316	PVDF	PVC	PTFE
Valve cover	SS304	SS316	PVDF	PVC	PTFE
Valve gasket	FPM/PTFE	FPM/PTFE	FPM/PTFE	FPM/PTFE	FPM/PTFE

Special Available Requirements

Code	GN	YB	B	D1	D2	XF
Specification	PTFE/EPDM	Diaphragm rupture alarm	Explosion-proof motor	Stroke actuator	Digital control	Suspension

Example



JCK-I Stroke Actuator

General Description

The Stroke actuator will change the location of adjustable screw by the input control signal to change the length of stroke of the dosing pump, and adjust the dosing pump capacity automatically.

Specification

- ★ Ambient Temp :0--50°C
- ★ Input power(standard):220V+/-10%,1 phase,50/60Hz
- ★ Adjust speed:16s/round
- ★ Power:20VA
- ★ Protection level:Ip65
- ★ Relative humidity:90%(25°C)
- ★ Input control signal(standard):4~20mA(120ohm input impedance)
- ★ Output feedback signal:4~20mA(120 ohm input impedance)
- ★ EMC(Electric Magnetic Compatibility) of Signal cable:following EN50081-1&EN50082-2



Wiring

- ★ Power cable:three codes
- ★ Signal cable:red is "-",yellow is collective cable(To avoid short circuit,connection the signal cable first)

Operation

Put the buttons "AUTO" or "MANUA" to choose the control automatic or manual mode.The electric actuator will change the length of stroke automatically following the signal at 4~20mA if press the "AUTO".Users can press the button input impedance input impedance ▲ UP to increase the length of stroke or the button □ DOWN to decrease the stroke of length.The stroke length will display at percentage.



JSK-II Digital Controller

General Description

The JSK-II Digital Controller is a new product which controls the speed of motor change the capacity flow of the pump.

- ★ The most advantage microprocessor
- ★ An Can be installed on the motor or on the wall separately
- ★ Automatic control of the capacity flow but meantime the manual control of the stroke adjustment
- ★ LCD shows whether it is operation or failure

Specification

- ★ Ambient Temp :0--50°C
- ★ Input control signal(standard):4~20mA
- ★ Power Supply(standard):220V+/-10%,1 Phase,50Hz
- ★ Remote ON/OFF:Dry Contact switch
- ★ I Alarm-Output:220V switch
- ★ Signal Input:
 - A:4--20mA simulation signal
 - B:Hall signal: Use Non-touching Hall signal to change pulse signal into filow signal
- Wave:Rectangle
- Extent:Over 3.5V
- Output Voltage:+/-12VDC

Specification

- ★ A Flow precision:+/-0.5%
- ★ Pulse precision:1 Pulse
- ★ Supply Power:220V AC+/-1%,50HZ +/-1%
- ★ Power Consumption:Less than 5W
- ★ Sensitivity:Less than 0.2S

Feature

- ★ A Display Single&Total accumulative flow
- ★ Digital frequency control Period operation control&level control
- ★ Remote ON/OFF
- ★ Display the work status
- ★ Fault display and alarm system
- ★ 4-20mA signal&hall signal receipt achieve auto-control
- Available with Rs485 communication interface,which is the standard ModBus RTU communiaction,and can be accessed DCS or FVCS system directly to achieve the computer remote control.



Mechanical Diaphragm Dosing Pump

JWM-C Series

Main Performance Parameters

- ★ Max flow:170L/H
- ★ Max discharge pressure:12bar
- ★ Turn down ratio 2:1,Stability accuracy±2%
- ★ Maximum suction height of the pump can up to 2m
- ★ Max suction pressure: 2bar
- ★ Maximum allowable temperature of chemical:40°C

Main Features

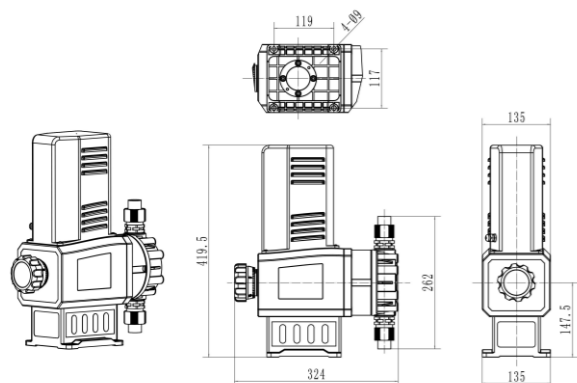
Liquid End

- ★ Mechanical driven type, diaphragm is adopted with PTFE and elastic rubber multi-layer composite structure, no leakage, more durable
- ★ Different material of pump head is available, such as PVC, PVDF, SS316 etc, which is appropriate for various chemical
- ★ Check valve can be self cleaning, easy to install
- ★ Without diaphragm pressure cap,which makes it easier for chemical to get through

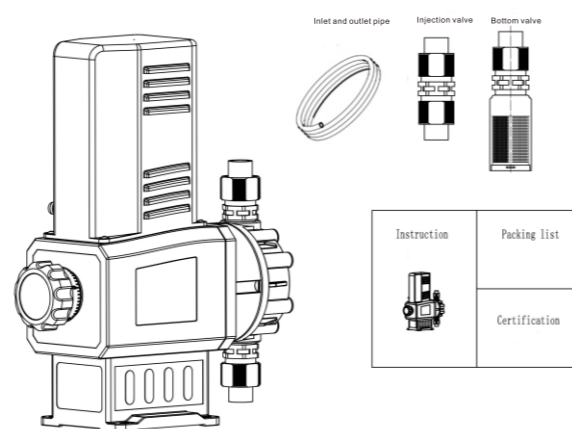
Drive end

- ★ By using reliable double cam structure, it's suitable for various conditions. some other advantages such as low noise, convenient disassembly& assembly, and easy maintenance.
- ★ The flow can be adjusted both on operating or stop. The pump can be equipped with digital controller for Remote/Auto control.
- ★ Non - oil - immersed structural design
- ★ The pump is functioning smoothly as using the high precision gear reducer
- ★ Hand wheel adjustment is with self-lock function

■ Dimensions(mm)



■ Standard Installation Parts



Mechanical Diaphragm Dosing Pump

■ JWM-C MODEL SELECTION

Model	Rated Flow (L/H)	Max Pressure (MPa)	Stroke (mm)	Pump Speed (spm)	Diaphragm (mm)	Connection Size (mm)	Weight (kg)	Motor Power (w)	Remark
JWM-C2/1.2	2	1.2	1.2	75	64	15*9mm PVC Fiber glass tube	11.5	220V/1P/ 50HZ/40W OR 380V/3P/ 50HZ/40W	The pump can be adjusted both at running and stop condition
JWM-C4.5/1.2	4.5	1.2	2	75	64				
JWM-C6/1.2	6	1.2	2	75	64				
JWM-C12/1.2	12	1.2	2	108	64				
JWM-C24/1.2	24	1.2	4	108	64				
JWM-C30/1.2	30	1.2	5	108	64				
JWM-C45/1.2	45	1.2	4	150	64	12	220V/1P/ 50HZ/60W OR 380V/3P/ 50HZ/60W		
JWM-C60/1.2	60	1.2	5	150	64				
JWM-C80/0.9	80	0.9	4	108	94	DN15 PVC Hard pipe socket	13	220V/1P/ 50HZ/120W OR 380V/3P/ 50HZ/120W	
JWM-C100/0.7	100	0.7	5	108	94				
JWM-C120/0.6	120	0.6	4	150	94				
JWM-C150/0.5	150	0.5	5	150	94				
JWM-C170/0.4	170	0.4	5	180	94				

JZF Series Dosing Pump

Structural principal

JZF series dosing pump is one kind of adjustable volume pump under non-motile source condition, which in the use of external forces to running the plunger by reciprocating moving, and fulfill the quantitative delivery through one way valve.

This dosing pump can used to delivery media which may satisfied: no particulate matter, corrosive and non-corrosive, under the temperature of -30°C - 150°C and with the viscosity of 0.3 - 800mm²/s

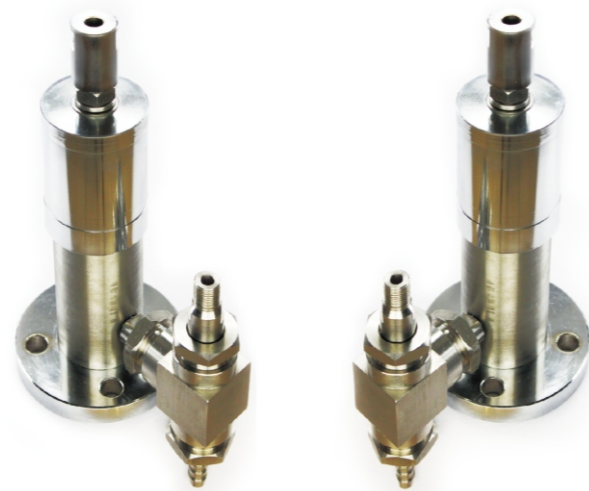
Regards to various process requirement and chemical characteristic, there have special type which available to choose, such as highly viscosity, highly corrosive, highly temperature resistance and so on.

Application

JZF series dosing pump is suitable in oil exploitation, gathering and transportation, petrochemical, chemical industry etc.

Data sheet

Model	Rated Flow (L/H)	Max Pressure (MPa)	Stroke (mm)	Pump Speed (spm)	Diaphragm (mm)
JZF-1.2/35	1.2	35	14	6	30
JZF-1.2/10		10			
JZF-1.5/35	1.5	35	16	6	30
JZF-1.5/10		10			
JZF-2.0/35	2.0	35	18	8	30
JZF-2.0/10		10			
JZF-2.5/35	2.5	35	20	8	30
JZF-2.5/10		10			
JZF-3.0/35	3.0	35	22	8	30
JZF-3.0/10		10			
JZF-5.8/35	5.8	35	28	12	30
JZF-5.8/10		10			



Methanol atomizer

Application

ALP-PWQ can be widely used in natural gas pipeline for dose methanol, inhibitor, soluble sulfate and etc, which also can be applied to dose deodorant to gas pipeline. It obtains the characteristics of good atomization, pressure resistance, reliable and easier maintenance.

Technical Parameters:

- ★ Rated Flow rate: 0 - 10000L/H
- ★ Rated Pressure: 62 MPa
- ★ Operation temperature: -40°C - 80°C
- ★ Materials: SS304, SS316, nickel-chromium iron alloy825, ASTM A105
- ★ Notes: can be customized according to customer requirements

